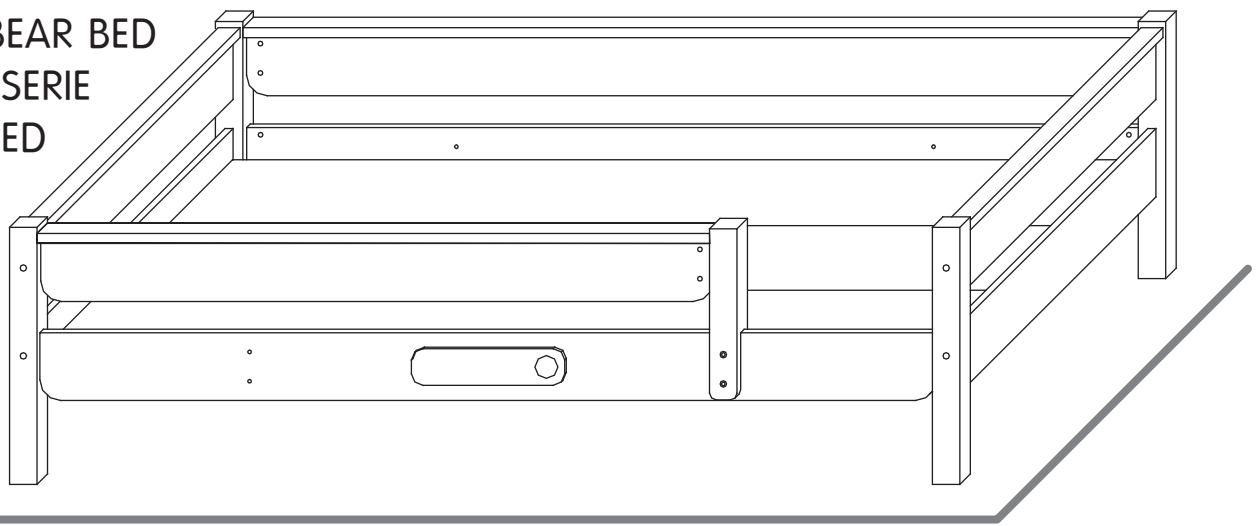
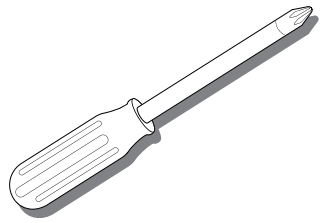


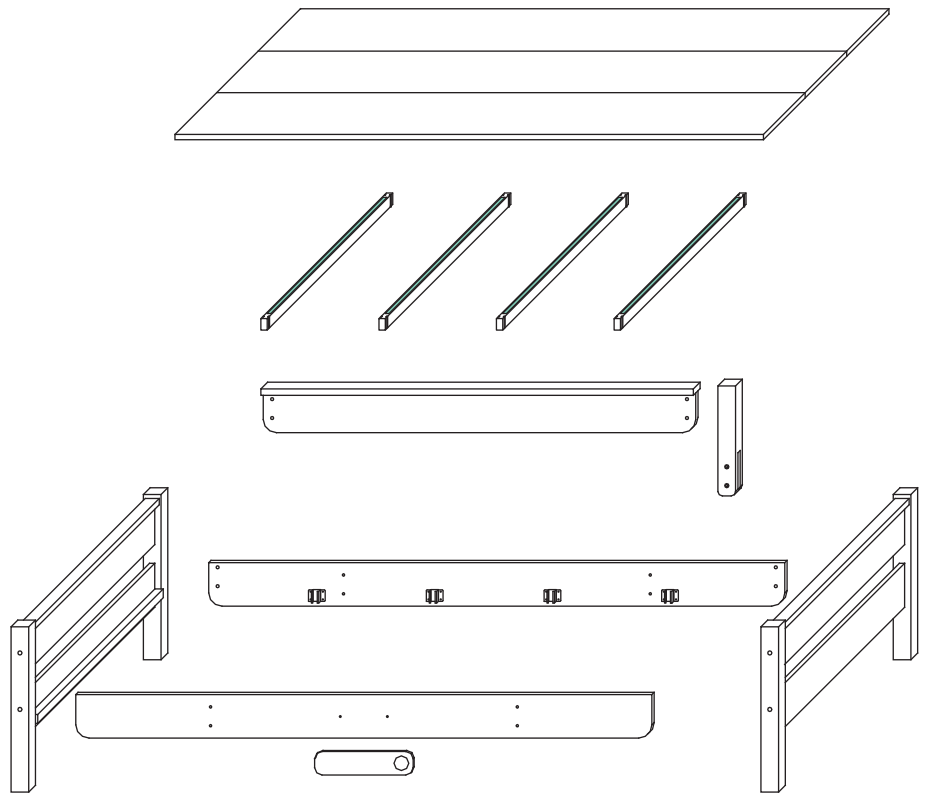
INSTRUCTION

WOODEN BEAR BED SERIE SUPER SINGLE BED

An Electric divers
or a screwdriver
needs

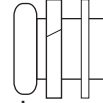

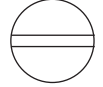

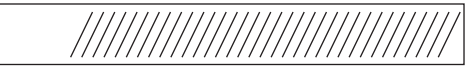
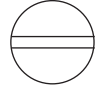

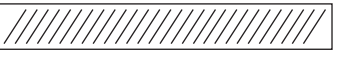


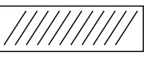

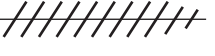


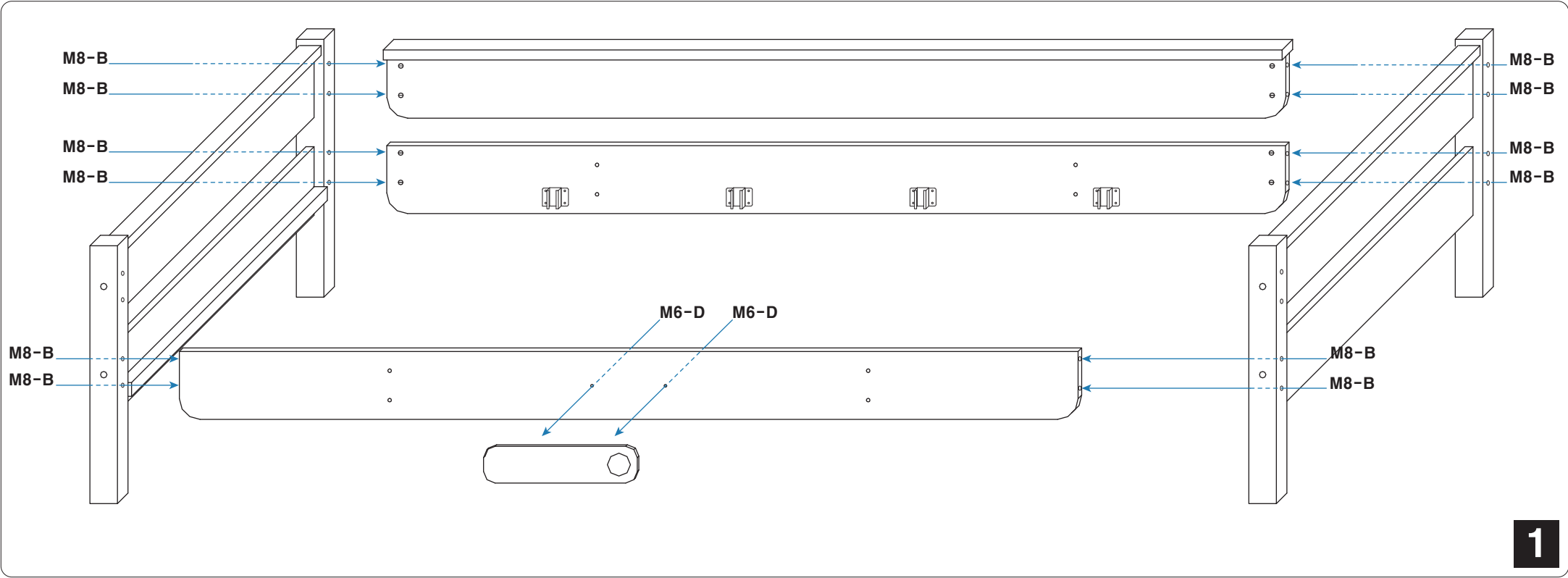
[PARTS LIST]

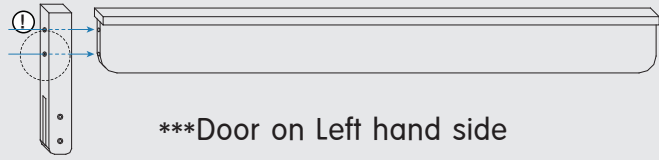


[Hardware list Bolts]

scale 1:1

- M8-A**    **Z-A**
 x 2 sets
- M8-B**    **Z-A**
 x 18 sets
- M6-C**   
 x 2 sets
- M6-D**  
 x 2 pcs
- PCS**  
 x 18 pcs





***Door on Left hand side

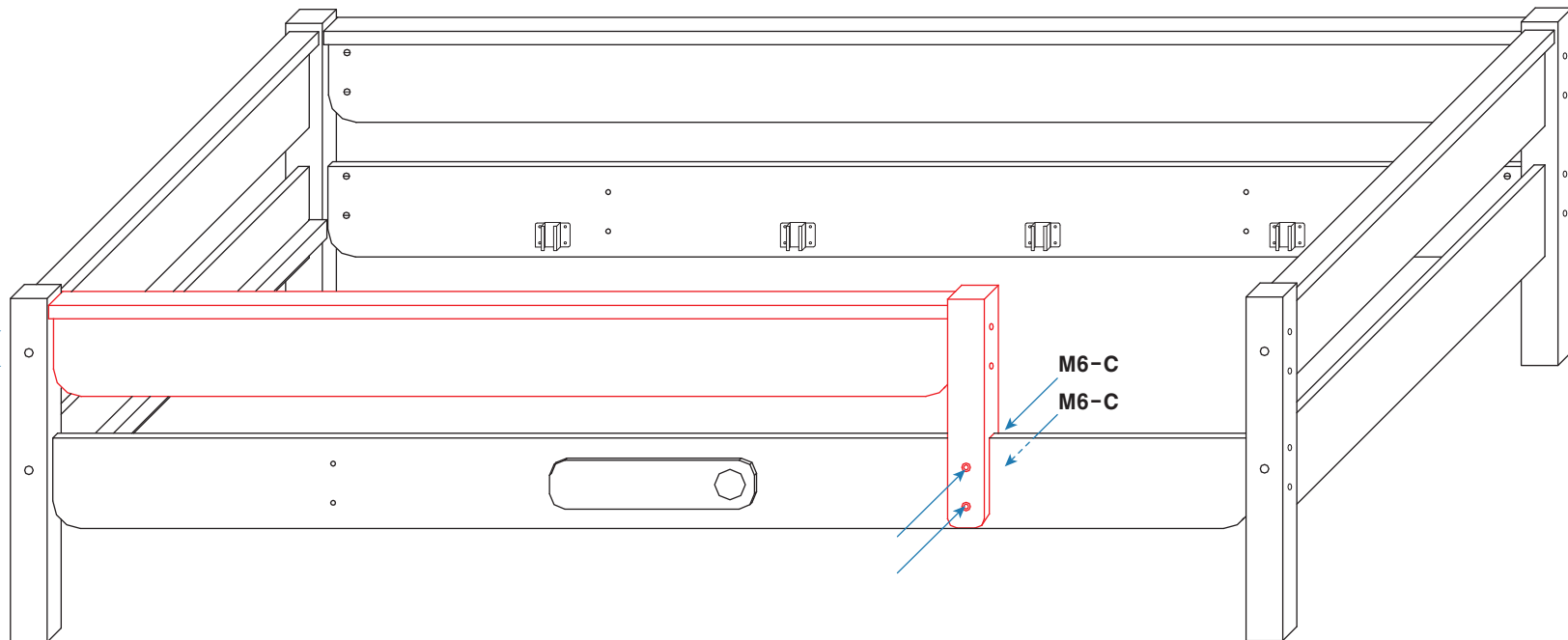
! Derection of Holes

●	OK!!!
○	NO!!

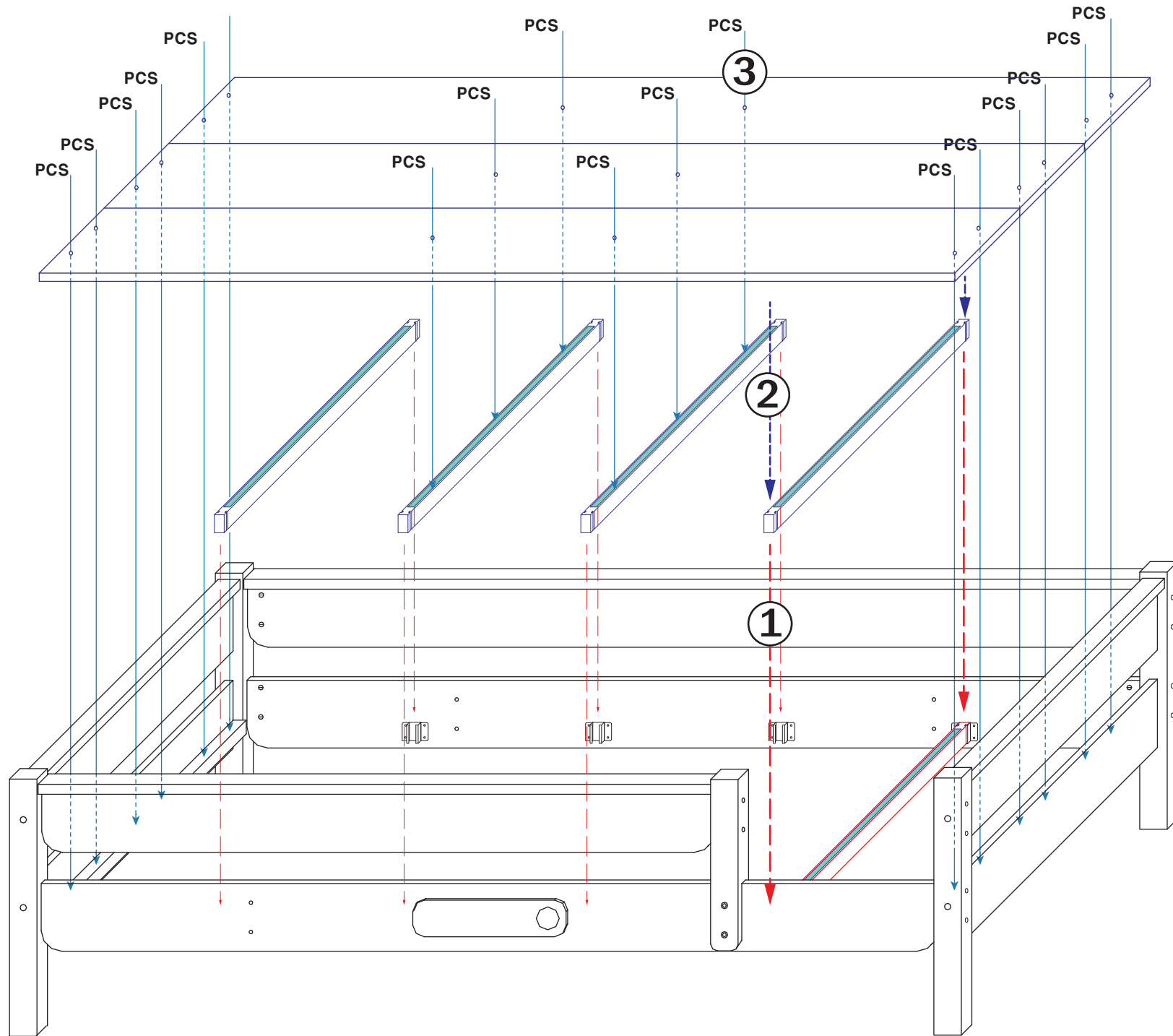


2

M8-B
M8-B



3



Complete!!

